

Fig No. GB-200 Full Bore
1/4" ~ 2" DN8 ~ DN50



Features :

- Investment casting component
- Rising Stem
- Screwed bonnet, Conical seat design
- For general chemical and industrial application

Standard Compliance :

- Body wall thickness : EN 12516-1/3
- Threaded end : BS 21 (BSP)
- BSPT
- ISO 228-1
- DIN 2999
- ISO 7-1Rp

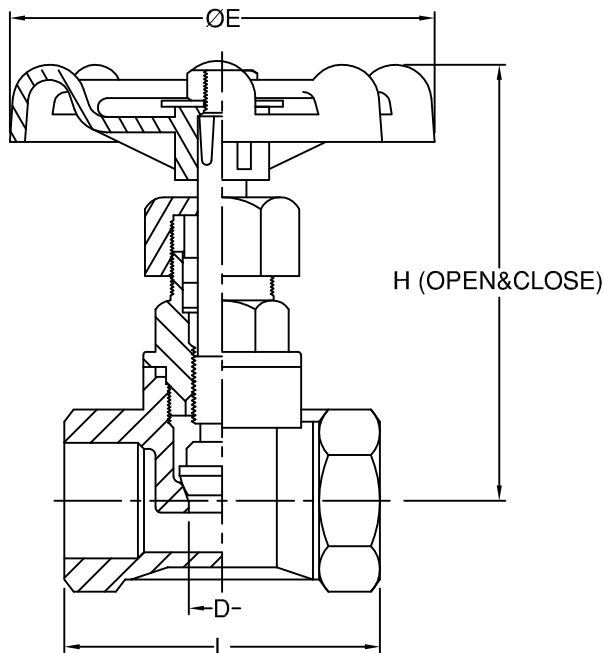
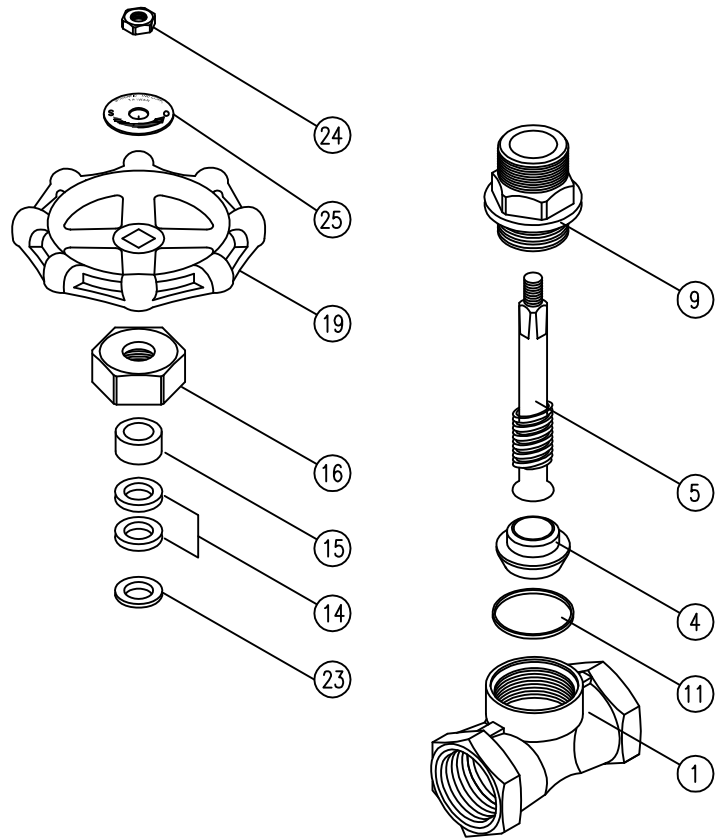
- Body material : EN 1503-1
- Pressure testing : EN 12266

Specification :

- End connection : Threaded end
- Working pressure : 16 Bar (CWP)
- Temperature : -20 ~ 180° C

MATERIALS LIST

NO.	PART NAME	MATERIAL
1	BODY	1.4408/EN1503-1
4	DISC	SS316
5	STEM	SS316
9	BONNET	1.4408/EN1503-1
11	BODY SEAL	PTFE.
14	STEM PACKING	PTFE.
15	GLAND	SS304
16	GLAND NUT	ASTM A351 Gr.CF8M
19	HANDWHEEL	ADC12
23	WASHER	SS316
24	H.W. NUT	SS304
25	NAME PLATE	ALUMINUM



DIMENSIONS

SIZE		L	ØE	H _(OPEN)	H _(CLOSE)	D	unit:mm
DN8	1/4"	52.0	70.0	79.0	73.0	12.0	
DN10	3/8"	52.0	70.0	79.0	73.0	12.0	
DN15	1/2"	52.0	70.0	79.0	73.0	12.0	
DN20	3/4"	60.0	70.0	94.0	85.0	15.0	
DN25	1"	72.0	80.0	101.0	91.0	20.0	
DN32	1-1/4"	81.0	80.0	119.0	103.0	25.0	
DN40	1-1/2"	90.0	90.0	142.0	124.0	32.0	
DN50	2"	101.0	100.0	159.0	139.0	40.0	